

## RUPE: Electro-pneumatic relay

### How energy efficiency is improved

The compressed air consumption in installations can be reduced by selectively switching off pneumatic control equipment when not in use.

### Areas of application

Relay for use in pneumatic control systems.

### Features

- Electromagnetic switching valve
- Valve body made of brass, valve disc with soft seal made of Viton
- Cable clamping sleeve for cables  $\varnothing$  6 -7 mm and wires up to 1.5 mm<sup>2</sup>
- Compressed air connection on upper part of valve G 1/8" A, male thread
- Complies with directive 97/23/EC Art. 3.3 on pressure equipment

### Technical description

- Power supply 24 or 230 V~
- Leakage rate ( $\Delta p = 1$  bar) 0.6 l/h
- Permissible operating time 100%



T04576



Y03184

Type	Flow rate <sup>1)</sup> m <sup>3</sup> /h	Connector thread	Voltage	Weight kg
<b>RUPE 5 F001</b>	6,3	Rp 1/8	230 V~	0,34
<b>RUPE 5 F002</b>	6,3	Rp 1/8	24 V~ <sup>2)</sup>	0,34
Control voltage	230 V~ 24 V~	$\pm 15\%$ , 50...60 Hz $\pm 20\%$ , 50...60 Hz	Permissible ambient temp. Permissible amb. humidity	0...55 °C < 90% rh
Power consumption	5 W (5,5 VA)	Type of protection	IP 65 (EN 60529)	
Permissible pressure or differential pressure	1,7 bar	Connection diagram	<a href="#">A04522</a>	
Leakage rate ( $\Delta p = 1$ bar)	0,6 l/h	Dimension drawing	<a href="#">M04531</a>	
Permissible duty cycle	100%	Fitting instructions	<a href="#">MV 505371</a>	

### Accessories

- 0274469 000\*** Screw-type bracket of polyamide with R 1/8 male thread  
**0277717 000\*** Screw fitting of polyamide with R 1/8 male thread  
**0296931 000\*** Adaptor with female thread Rp 1/8  
**0296936 000\*** Fixing bracket for rail EN 60715-35  $\times$  7,5 and 35  $\times$  15  
**0296937 000\*** Fixing clip for rail C EN 60715-C 20  
**0296938 000\*** Bracket for wall mounting  
**0381140 001\*** Screw fitting of polyamide with Rp 1/8 female thread

<sup>\*)</sup> Dimension drawing or wiring diagram are available under the same number

1) Flow of air at 1 bar with respect to atmosphere

2) Also suitable for 24 V~,  $\pm 20\%$

### Operation

The alternating current connected to the unit is converted by the integrated rectifier into d.c. for the solenoid.

Solenoid energised:	passage	A-P open A-R closed
Solenoid de-energised:	passage	A-R open A-P closed

### Engineering and fitting notes

Because of the self-heating properties of the electropneumatic relay, especially in panels at the upper connector R, the material used for the plastic tubing should be suitable for use in temperatures of at least 80 °C (e.g. polyamide).

Do not touch the relay while it is in use or just after it has been switched off.

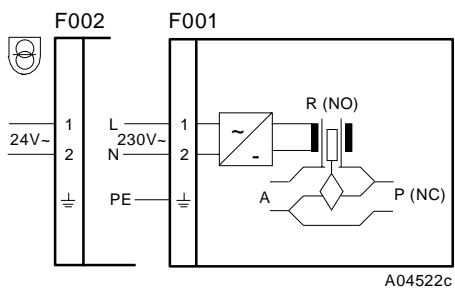
Архангельск (8182)63-90-72  
 Астана +7(7172)727-132  
 Белгород (4722)40-23-64  
 Брянск (4832)59-03-52  
 Владивосток (423)249-28-31  
 Волгоград (844)278-03-48  
 Вологда (8172)26-41-59  
 Воронеж (473)204-51-73  
 Екатеринбург (343)384-55-89  
 Иваново (4932)77-34-06  
 Ижевск (3412)26-03-58  
 Казань (843)206-01-48

Калининград (4012)72-03-81  
 Калуга (4842)92-23-67  
 Кемерово (3842)65-04-62  
 Киров (8332)68-02-04  
 Краснодар (861)203-40-90  
 Красноярск (391)204-63-61  
 Курск (4712)77-13-04  
 Липецк (4742)52-20-81  
 Магнитогорск (3519)55-03-13  
 Москва (495)268-04-70  
 Мурманск (8152)59-64-93  
 Набережные Челны (8552)20-53-41

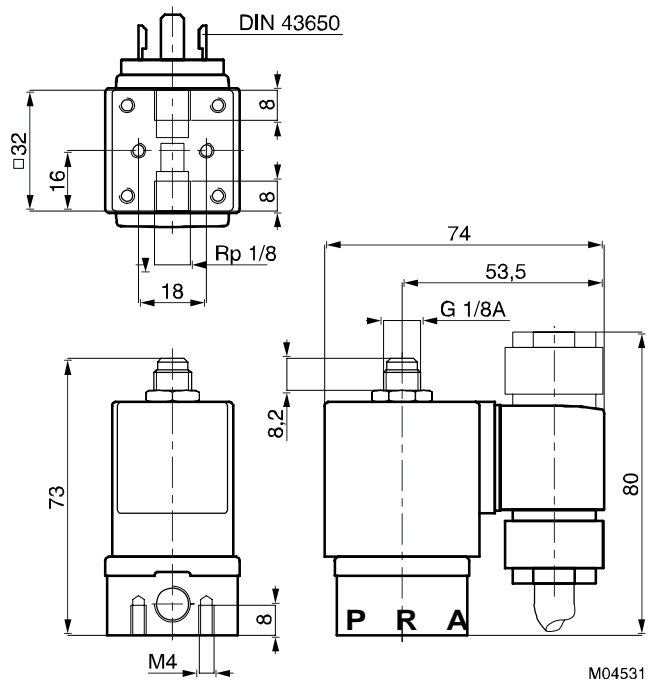
Нижний Новгород (831)429-08-12  
 Новокузнецк (3843)20-46-81  
 Новосибирск (383)227-86-73  
 Орел (4862)44-53-42  
 Оренбург (3532)37-68-04  
 Пенза (8412)22-31-16  
 Пермь (342)205-81-47  
 Ростов-на-Дону (863)308-18-15  
 Рязань (4912)46-61-64  
 Самара (846)206-03-16  
 Санкт-Петербург (812)309-46-40  
 Саратов (845)249-38-78

Смоленск (4812)29-41-54  
 Сочи (862)225-72-31  
 Ставрополь (8652)20-65-13  
 Тверь (4822)63-31-35  
 Томск (3822)98-41-53  
 Тула (4872)74-02-29  
 Тюмень (3452)66-21-18  
 Ульяновск (8422)24-23-59  
 Уфа (347)229-48-12  
 Челябинск (351)202-03-61  
 Череповец (8202)49-02-64  
 Ярославль (4852)69-52-93

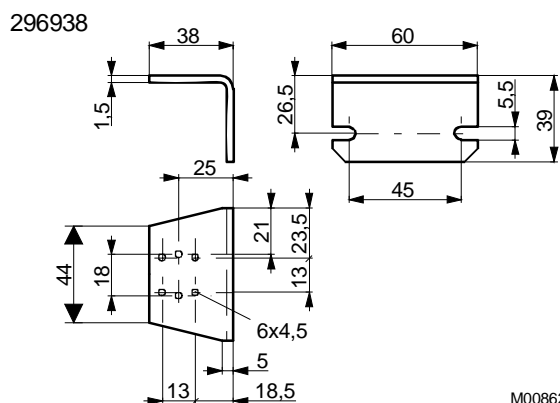
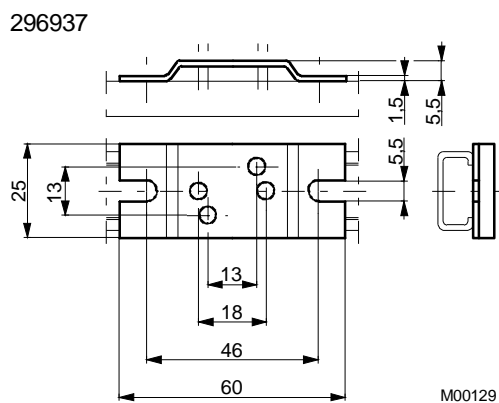
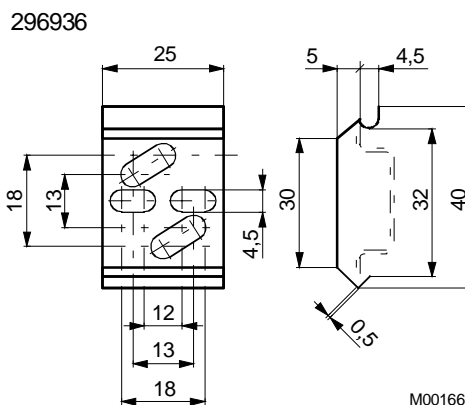
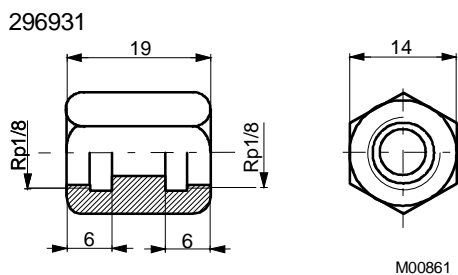
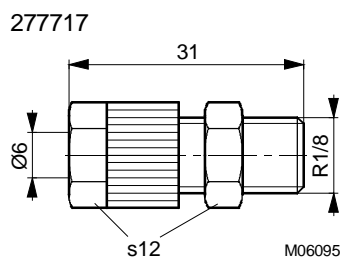
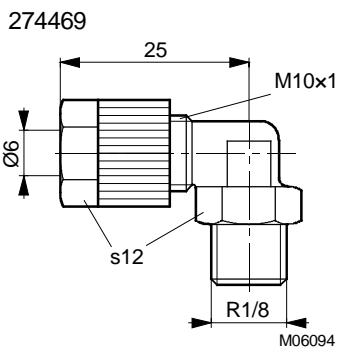
**Connection diagram**



**Dimension drawing**



Accessories



Архангельск (8182)63-90-72  
 Астана +7(7172)727-132  
 Белгород (4722)40-23-64  
 Брянск (4832)59-03-52  
 Владивосток (423)249-28-31  
 Волгоград (844)278-03-48  
 Вологда (8172)26-41-59  
 Воронеж (473)204-51-73  
 Екатеринбург (343)384-55-89  
 Иваново (4932)77-34-06  
 Ижевск (3412)26-03-58  
 Казань (843)206-01-48

Калининград (4012)72-03-81  
 Калуга (4842)92-23-67  
 Кемерово (3842)65-04-62  
 Киров (8332)68-02-04  
 Краснодар (861)203-40-90  
 Красноярск (391)204-63-61  
 Курск (4712)77-13-04  
 Липецк (4742)52-20-81  
 Магнитогорск (3519)55-03-13  
 Москва (495)268-04-70  
 Мурманск (8152)59-64-93  
 Набережные Челны (8552)20-53-41

Нижний Новгород (831)429-08-12  
 Новокузнецк (3843)20-46-81  
 Новосибирск (383)227-86-73  
 Орел (4862)44-53-42  
 Оренбург (3532)37-68-04  
 Пенза (8412)22-31-16  
 Пермь (342)205-81-47  
 Ростов-на-Дону (863)308-18-15  
 Рязань (4912)46-61-64  
 Самара (846)206-03-16  
 Санкт-Петербург (812)309-46-40  
 Саратов (845)249-38-78

Смоленск (4812)29-41-54  
 Сочи (862)225-72-31  
 Ставрополь (8652)20-65-13  
 Тверь (4822)63-31-35  
 Томск (3822)98-41-53  
 Тула (4872)74-02-29  
 Тюмень (3452)66-21-18  
 Ульяновск (8422)24-23-59  
 Уфа (347)229-48-12  
 Челябинск (351)202-03-61  
 Череповец (8202)49-02-64  
 Ярославль (4852)69-52-93