

TSUP: Room-temperature transducer

How energy efficiency is improved

Accurate recording of room temperature in pneumatic installations for optimal control of HVAC systems.

Areas of application

Continuous pneumatic measurement and/or control of room temperature in combination with pneumatic control equipment (Centair).

Features

- Part of the Centair family of systems
- Conversion of room temperature into a standard 0.2 to 1.0 bar pneumatic signal
- Lid in thermoplastic with grey/white frame (RAL 9002) and pure-white front panel (RAL 9010)
- Compressed-air connection on plug nipple for flexible plastic hose int. \varnothing 4 mm
- Complies with directive 97/23/EC Art. 3.3 on pressure equipment

Technical description

- Supply pressure 1.3 bar \pm 0.1
- Nozzle/ball system
- Linearity of output signal < 2%

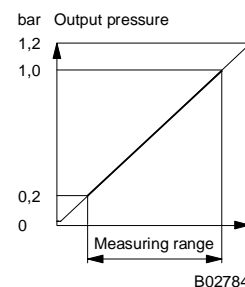
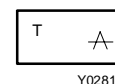
Type	Measuring range °C	Output pressure bar	Weight kg
TSUP 1 F001	5...35	0,2...1,0	0,17
Supply pressure 1)		Permissible ambient temp.	0...70 °C
via external restrictor \varnothing 0,2 mm	1,3 \pm 0,1 bar	Connection diagram	A02781
Air capacity, air consumption	33 l _n /h	Dimension drawing	M303048
Linearity	< 2%	Fitting instructions	MV 23153
Time constant (0,2 m/s)	5 min		

Accessories

- 0296218 000*** Buckle-proof adaptor for push-on fitting.
0296990 000* Buckle-proof adaptor for screw-type fitting; see MV 7322.
0303124 000* Recessed junction box.
0310315 000* Surface junction box.

*) Dimension drawing or wiring diagram are available under the same number

1) In the RCP and RPP 20 controllers, the restrictors (\varnothing 0,2 mm) are fitted at inputs 3 and 4.
See Section 60 on regulations concerning the quality of supply air, especially at low ambient temperatures.

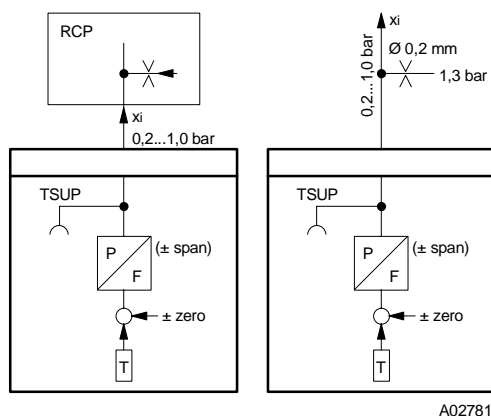


Operation

As the temperature rises, the bimetal strip bends and exerts a corresponding force on the nozzle-ball system. This converts the force into a pressure change. The output pressure increases as the temperature rises.

Technical information

Technical manual: *centair* system 304991 003



A02781

Архангельск (8182)63-90-72

Астана +7(7172)727-132

Белгород (4722)40-23-64

Брянск (4832)59-03-52

Владивосток (423)249-28-31

Волгоград (844)278-03-48

Вологда (8172)26-41-59

Воронеж (473)204-51-73

Екатеринбург (343)384-55-89

Иваново (4932)77-34-06

Ижевск (3412)26-03-58

Казань (843)206-01-48

Калининград (4012)72-03-81

Калуга (4842)92-23-67

Кемерово (3842)65-04-62

Киров (8332)68-02-04

Краснодар (861)203-40-90

Красноярск (391)204-63-61

Курск (4712)77-13-04

Липецк (4742)52-20-81

Магнитогорск (3519)55-03-13

Москва (495)268-04-70

Мурманск (8152)59-64-93

Набережные Челны (8552)20-53-41

Нижний Новгород (831)429-08-12

Новокузнецк (3843)20-46-81

Новосибирск (383)227-86-73

Орел (4862)44-53-42

Оренбург (3532)37-68-04

Пенза (8412)22-31-16

Пермь (342)205-81-47

Ростов-на-Дону (863)308-18-15

Рязань (4912)46-61-64

Самара (846)206-03-16

Санкт-Петербург (812)309-46-40

Саратов (845)249-38-78

Смоленск (4812)29-41-54

Сочи (862)225-72-31

Ставрополь (8652)20-65-13

Тверь (4822)63-31-35

Томск (3822)98-41-53

Тула (4872)74-02-29

Тюмень (3452)66-21-18

Ульяновск (8422)24-23-59

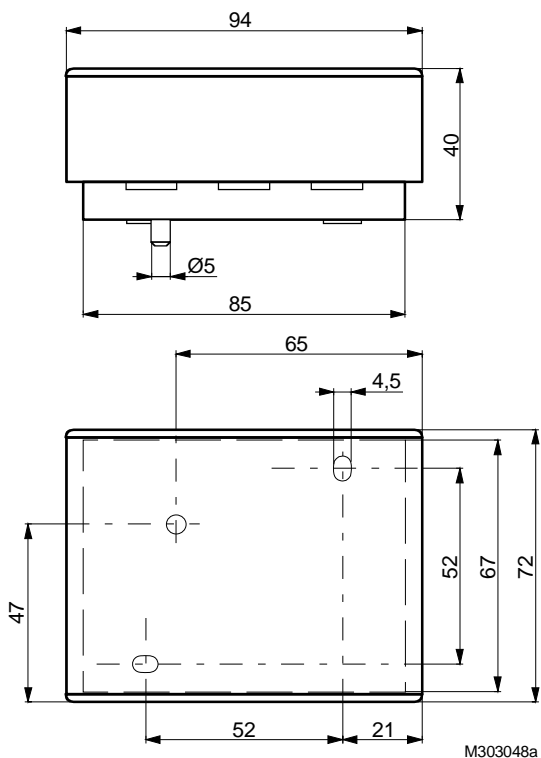
Уфа (347)229-48-12

Челябинск (351)202-03-61

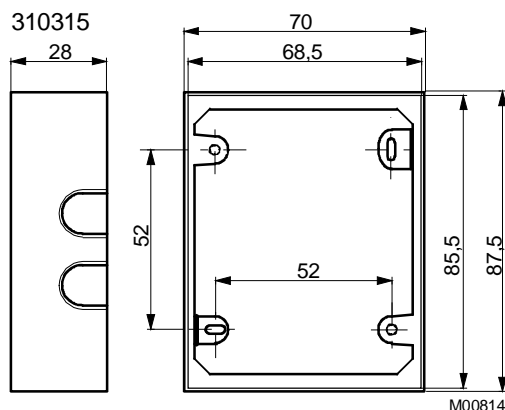
Череповец (8202)49-02-64

Ярославль (4852)69-52-93

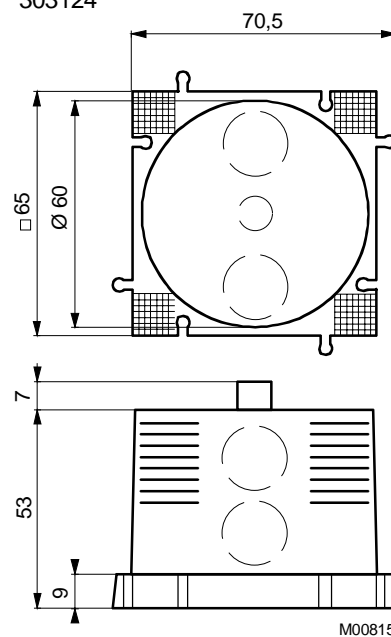
Dimension drawing



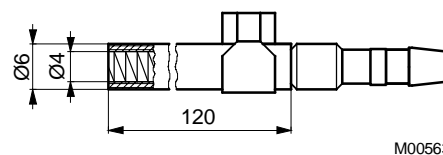
Accessories



303124



296218



Архангельск (8182)63-90-72
 Астана +7(7172)727-132
 Белгород (4722)40-23-64
 Брянск (4832)59-03-52
 Владивосток (423)249-28-31
 Волгоград (844)278-03-48
 Вологда (8172)26-41-59
 Воронеж (473)204-51-73
 Екатеринбург (343)384-55-89
 Иваново (4932)77-34-06
 Ижевск (3412)26-03-58
 Казань (843)206-01-48

Калининград (4012)72-03-81
 Калуга (4842)92-23-67
 Кемерово (3842)65-04-62
 Киров (8332)68-02-04
 Краснодар (861)203-40-90
 Красноярск (391)204-63-61
 Курск (4712)77-13-04
 Липецк (4742)52-20-81
 Магнитогорск (3519)55-03-13
 Москва (495)268-04-70
 Мурманск (8152)59-64-93
 Набережные Челны (8552)20-53-41

Нижний Новгород (831)429-08-12
 Новокузнецк (3843)20-46-81
 Новосибирск (383)227-86-73
 Орел (4862)44-53-42
 Оренбург (3532)37-68-04
 Пенза (8412)22-31-16
 Пермь (342)205-81-47
 Ростов-на-Дону (863)308-18-15
 Рязань (4912)46-61-64
 Самара (846)206-03-16
 Санкт-Петербург (812)309-46-40
 Саратов (845)249-38-78

Смоленск (4812)29-41-54
 Сочи (862)225-72-31
 Ставрополь (8652)20-65-13
 Тверь (4822)63-31-35
 Томск (3822)98-41-53
 Тула (4872)74-02-29
 Тюмень (3452)66-21-18
 Ульяновск (8422)24-23-59
 Уфа (347)229-48-12
 Челябинск (351)202-03-61
 Череповец (8202)49-02-64
 Ярославль (4852)69-52-93