

XYP 1: Pneumatic test unit

Areas of application

Checking peripheral equipment in the Centair range and for system faults in installations with Centair control equipment.

Features

- Simulation of output pressure
- Enables the testing of supply pressure, actual values, command variables and remote setpoint settings
- Plastic housing suitable for wall or top-hat rail mounting (rail EN 60715)
- Compressed-air connections with Rp 1/8" female thread
- Complies with directive 97/23/EC Art. 3.3 on pressure equipment

Technical description

- Supply pressure $1.3 \text{ bar} \pm 0.1$
- Setting accuracy 5%



T03077

Type	Description	Weight kg
XYP 1 F001	<i>centair</i> test unit	0,7
Supply pressure p_1 ¹⁾	$1,3 \pm 0,1 \text{ bar}$	Connection diagram A03207
Output pressure p_2	$0 \dots 1,3 \text{ bar}$	Dimension drawing M297100
Input pressure p_3, p_4, p_5, p_6	$0,2 \dots 1,0 \text{ bar}$	Fitting instructions MV 7317

Accessories

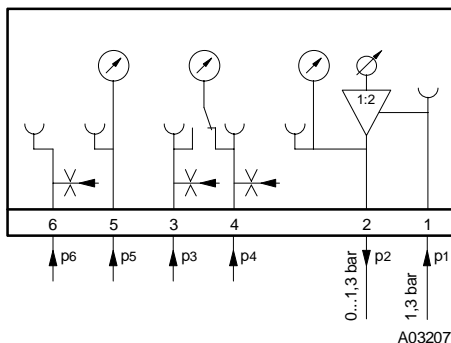
-XMP Plug-in manometer for the *centair* measuring ranges; see Section 68.

1) See Section 60 on regulations concerning the quality of supply air, especially at low ambient temperature.

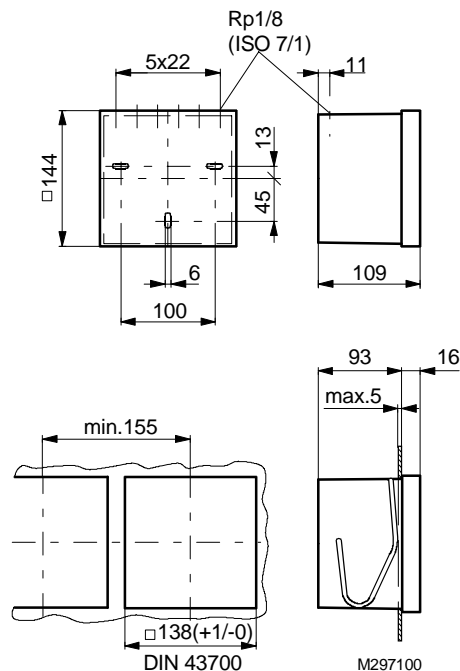
Operation

Refer to fitting instructions (MVE 7317).

Connection diagram



Dimension drawing



Архангельск (8182)63-90-72
 Астана +7(7172)727-132
 Белгород (4722)40-23-64
 Брянск (4832)59-03-52
 Владивосток (423)249-28-31
 Волгоград (844)278-03-48
 Вологда (8172)26-41-59
 Воронеж (473)204-51-73
 Екатеринбург (343)384-55-89
 Иваново (4932)77-34-06
 Ижевск (3412)26-03-58
 Казань (843)206-01-48

Калининград (4012)72-03-81
 Калуга (4842)92-23-67
 Кемерово (3842)65-04-62
 Киров (8332)68-02-04
 Краснодар (861)203-40-90
 Красноярск (391)204-63-61
 Курск (4712)77-13-04
 Липецк (4742)52-20-81
 Магнитогорск (3519)55-03-13
 Москва (495)268-04-70
 Мурманск (8152)59-64-93
 Набережные Челны (8552)20-53-41

Нижний Новгород (831)429-08-12
 Новокузнецк (3843)20-46-81
 Новосибирск (383)227-86-73
 Орел (4862)44-53-42
 Оренбург (3532)37-68-04
 Пенза (8412)22-31-16
 Пермь (342)205-81-47
 Ростов-на-Дону (863)308-18-15
 Рязань (4912)46-61-64
 Самара (846)206-03-16
 Санкт-Петербург (812)309-46-40
 Саратов (845)249-38-78

Смоленск (4812)29-41-54
 Сочи (862)225-72-31
 Ставрополь (8652)20-65-13
 Тверь (4822)63-31-35
 Томск (3822)98-41-53
 Тула (4872)74-02-29
 Тюмень (3452)66-21-18
 Ульяновск (8422)24-23-59
 Уфа (347)229-48-12
 Челябинск (351)202-03-61
 Череповец (8202)49-02-64
 Ярославль (4852)69-52-93